

MATERIAL

Anodised aluminium, black colour.

LEVER

Anodized aluminum, yellow colour.

PIN

AISI 303 stainless steel.

GRUB SCREW

Stainless steel.

FEATURES AND APPLICATIONS

The quick release device allows the quick positioning of GN 704 with no need for tools, thanks to a cam lever.

TECHNICAL DATA

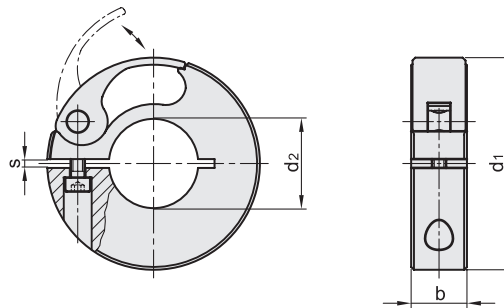
Assembly on h8 tolerance shaft.



- 1
- 2
- 3
- 4
- 5
- 6
- 7
- 8
- 9
- 10
- 11
- 12
- 13
- 14
- 15
- 16
- 17
- 18

Conversion Table
1 mm = 0.039 inch

d1	
mm	inch
38	1.50
50	1.97
75	2.95



METRIC

Code	Description	d1	d2	b	s	Tightening torque [Nm]	Static load [N]	
GN.30581	GN 704-38-B8	38	8	10	1.5	0.5	130	25
GN.30582	GN 704-38-B10	38	10	10	1.5	0.5	150	25
GN.30583	GN 704-38-B12	38	12	10	1.5	0.5	160	24
GN.30584	GN 704-38-B14	38	14	10	1.5	0.5	180	23
GN.30585	GN 704-38-B15	38	15	10	1.5	0.5	220	22
GN.30586	GN 704-38-B16	38	16	10	1.5	0.5	260	22
GN.30591	GN 704-50-B20	50	20	13	1.5	0.7	310	55
GN.30592	GN 704-50-B25	50	25	13	1.5	0.7	400	49
GN.30593	GN 704-50-B28	50	28	13	1.5	0.7	450	45
GN.30594	GN 704-50-B30	50	30	13	1.5	0.7	450	42
GN.30597	GN 704-75-B32	75	32	15	1.5	1.5	460	125
GN.30598	GN 704-75-B35	75	35	15	1.5	1.5	480	119

Machine elements